

**RACK
UNITS**

INCHES

RACK DETAILS		
MAKE	DESCRIPTION	MODEL
MIDDLE ATLANTIC	10 SPACE 18" DEEP RACK	CFR-10-18
MIDDLE ATLANTIC	LOW FRICTION RUNNER KIT	5-RS18

1	03/04/2019	REVISION FOR REVIEW
0	03/13/2018	ISSUE FOR REVIEW

REV	DATE	DESCRIPTION
-----	------	-------------

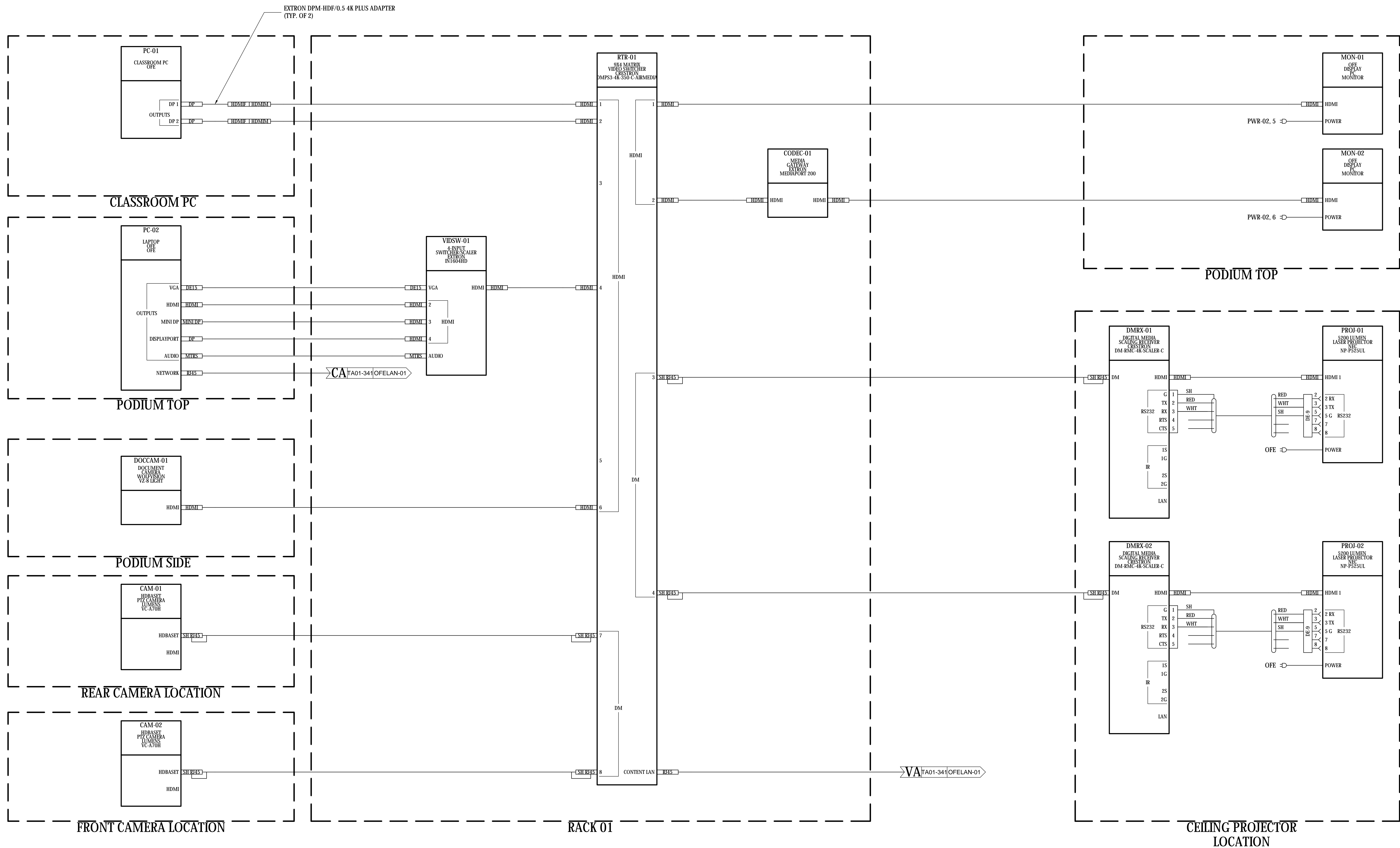
DATE: 03-07-18
SCALE: NTS
DRAWN: S. MERVINE
ENG BY: S. MERVINE

SHEET SIZE ARCH E 48 X 36

LEHIGH
UNIVERSITY
CLASSROOM STD
VTC 2-SCREEN
EQUIPMENT
RACK ELEVATION

DRAWING NO.
TA01-301

PROJECT NO.
111588



1	03/04/2019	REVISION FOR REVIEW
0	03/13/2018	ISSUE FOR REVIEW

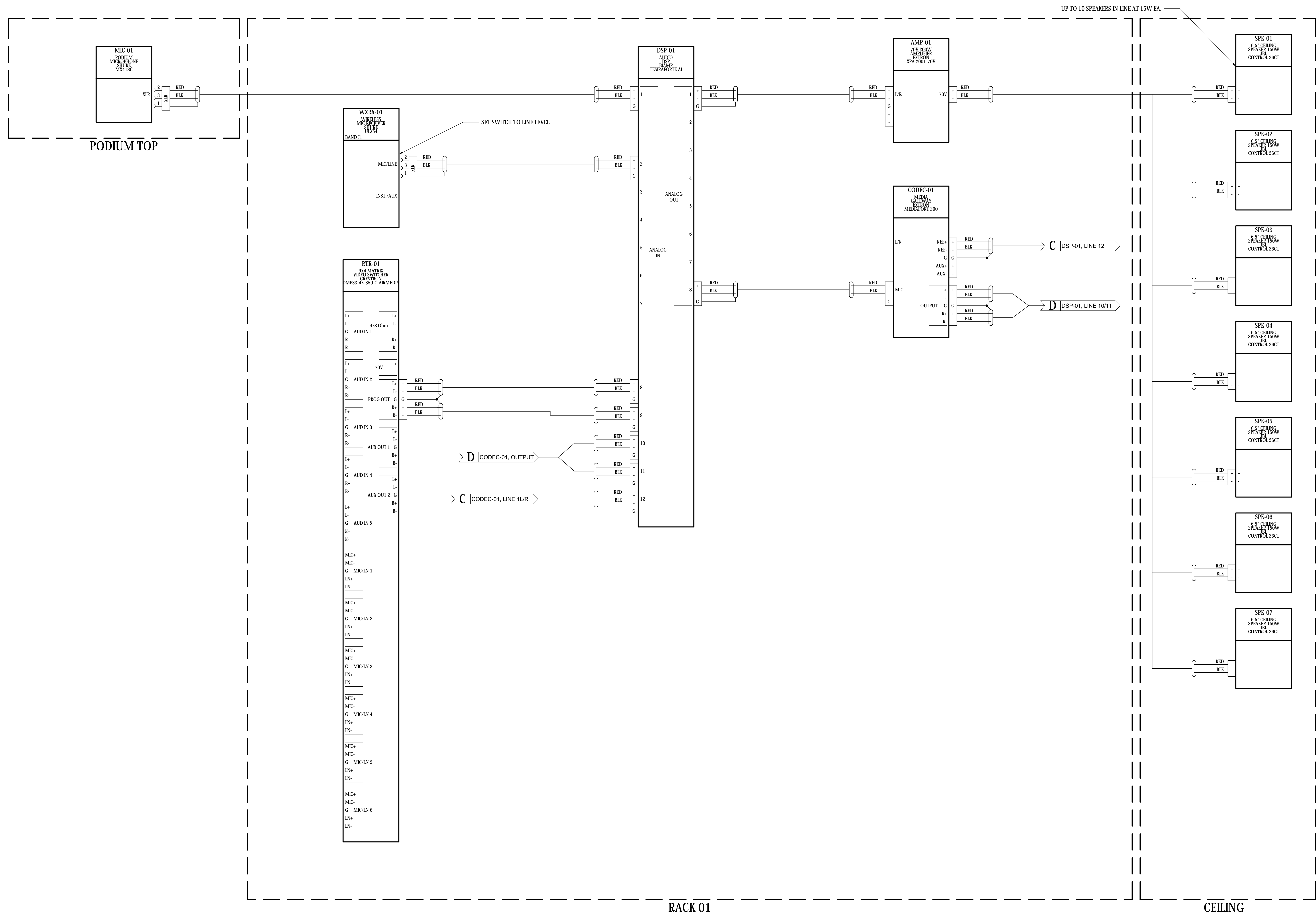
REV	DATE	DESCRIPTION

DATE: 03-07-18
SCALE: NTS
DRAWN: S. MERVINE
ENG BY: S. MERVINE

SHEET SIZE: ARCH E 48 X 36

LEHIGH UNIVERSITY
CLASSROOM STD
VTC 2-SCREEN
VIDEO
FLOW DIAGRAM

DRAWING NO.
TA01-311
PROJECT NO.
111588



1	03/04/2019	REVISION FOR REVIEW
0	03/13/2018	ISSUE FOR REVIEW

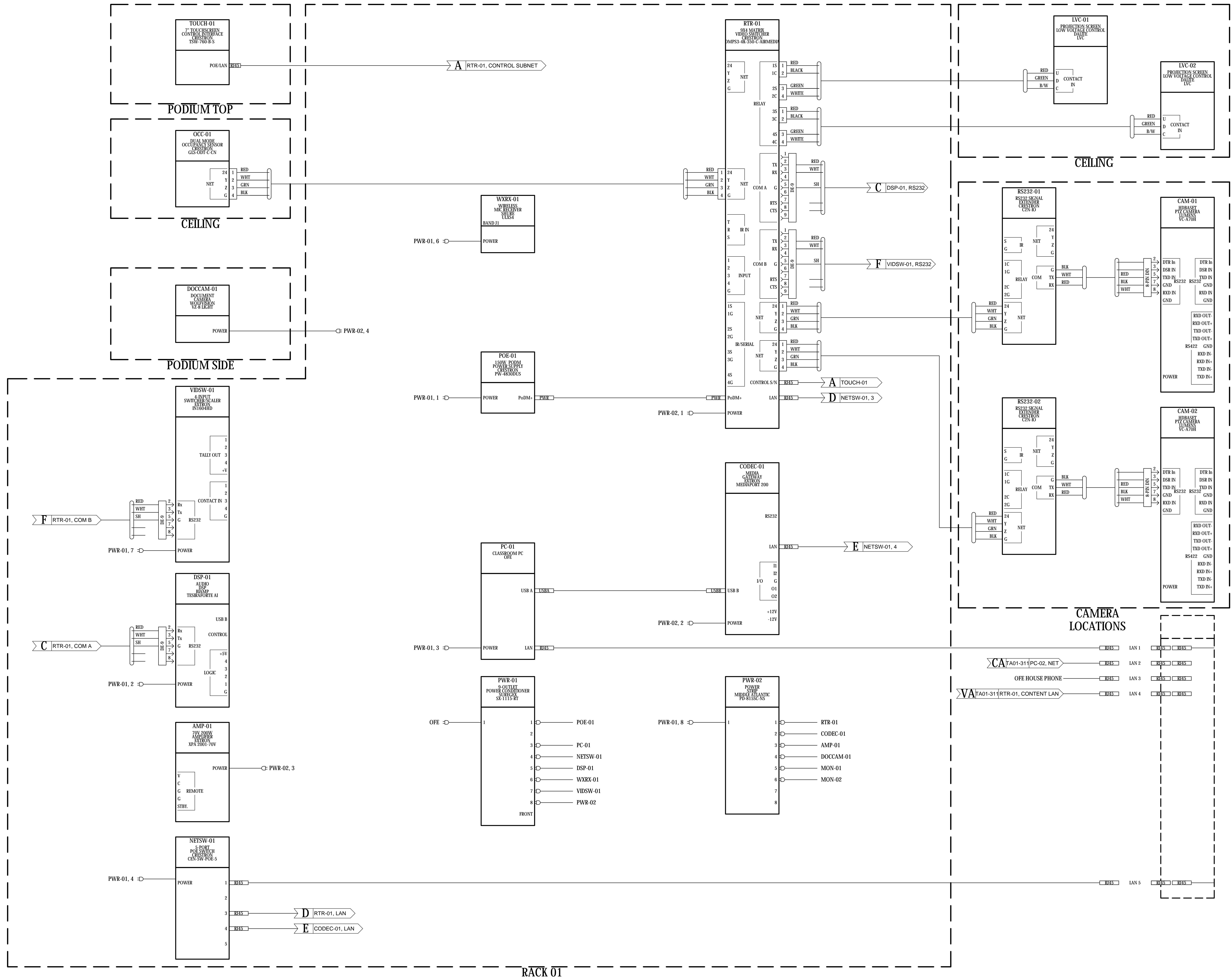
REV	DATE	DESCRIPTION

SHEET SIZE ARCH E 48 X 36

LEHIGH UNIVERSITY
CLASSROOM STD
VTC 2-SCREEN
AUDIO
FLOW DIAGRAM

DRAWING NO. TA01-321

PROJECT NO. 111588



1	03/04/2019	REVISION FOR REVIEW
0	03/13/2018	ISSUE FOR REVIEW

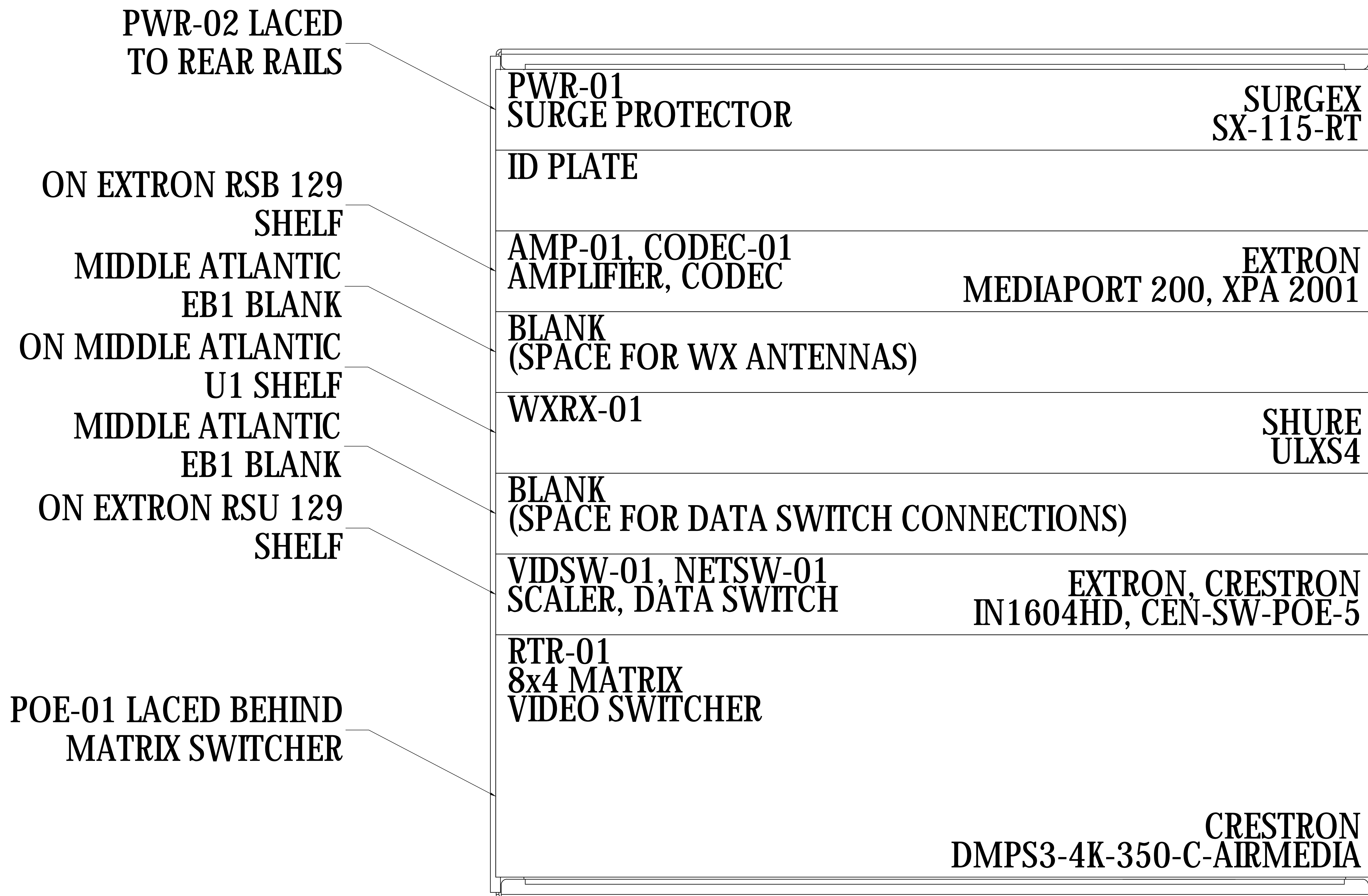
REV	DATE	DESCRIPTION

DATE: 03-07-18
SCALE: NTS
DRAWN: S. MERVINE
ENG BY: S. MERVINE

SHEET SIZE: ARCH E 48 X 36

LEHIGH UNIVERSITY
CLASSROOM STD
VTC 2-SCREEN
CONTROL
FLOW DIAGRAM

DRAWING NO.
TA01-341
PROJECT NO.
111588



**RACK
UNITS**

INCHES

RACK DETAILS		
MAKE	DESCRIPTION	MODEL
MIDDLE ATLANTIC	10 SPACE 18" DEEP RACK	CFR-10-18
MIDDLE ATLANTIC	LOW FRICTION RUNNER KIT	5-RS16

REV	DATE	DESCRIPTION
1	03/04/2019	REVISION FOR REVIEW
0	03/13/2018	ISSUE FOR REVIEW

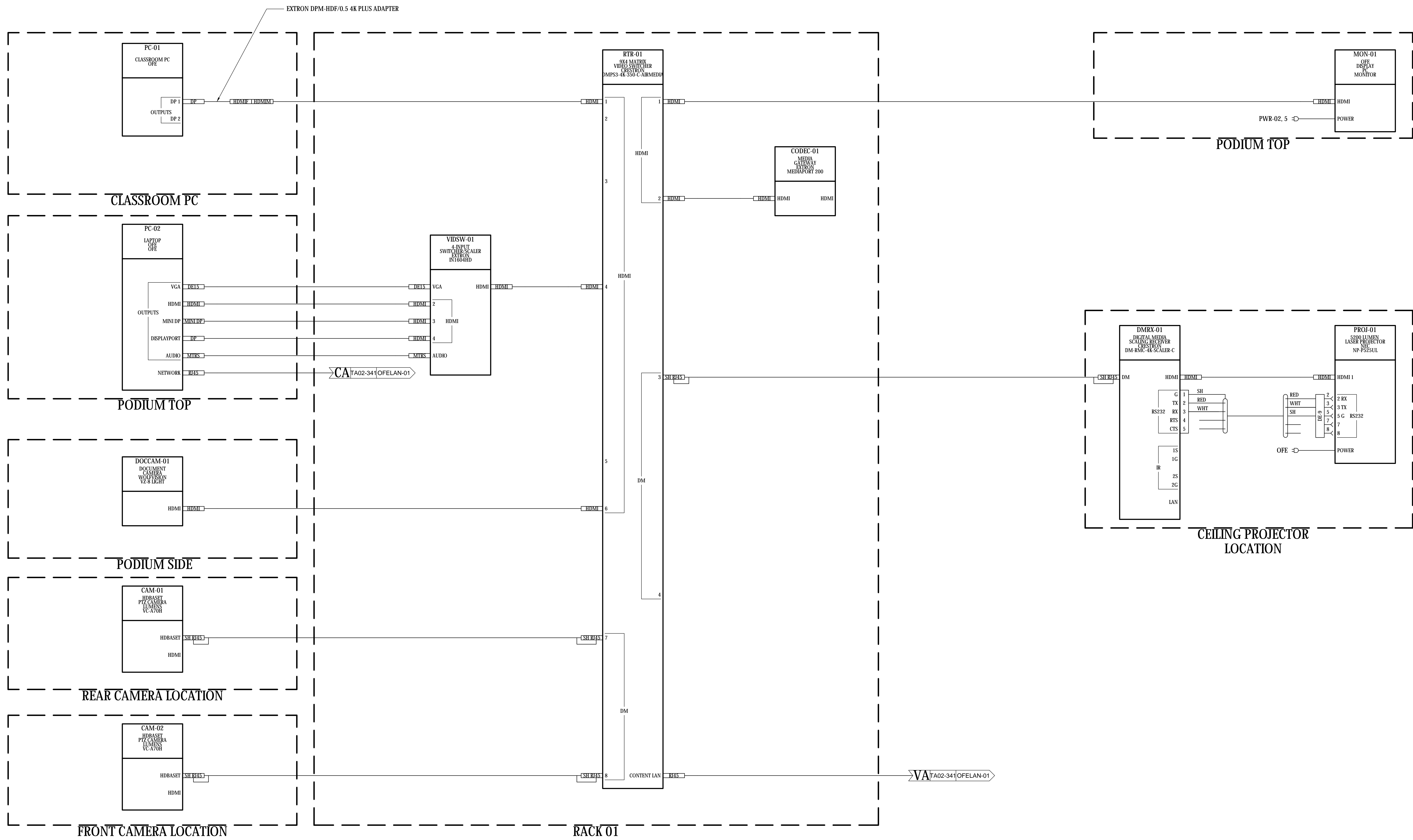
DATE: 03-07-18
SCALE: NTS
DRAWN: S. MERVINE
ENG BY: S. MERVINE

SHEET SIZE ARCH E 48 X 36

LEHIGH
UNIVERSITY
CLASSROOM STD
VTC 1-SCREEN
EQUIPMENT
RACK ELEVATION

DRAWING NO. **TA02-301**

PROJECT NO. 111588



1	03/04/2019	REVISION FOR REVIEW
0	03/13/2018	ISSUE FOR REVIEW

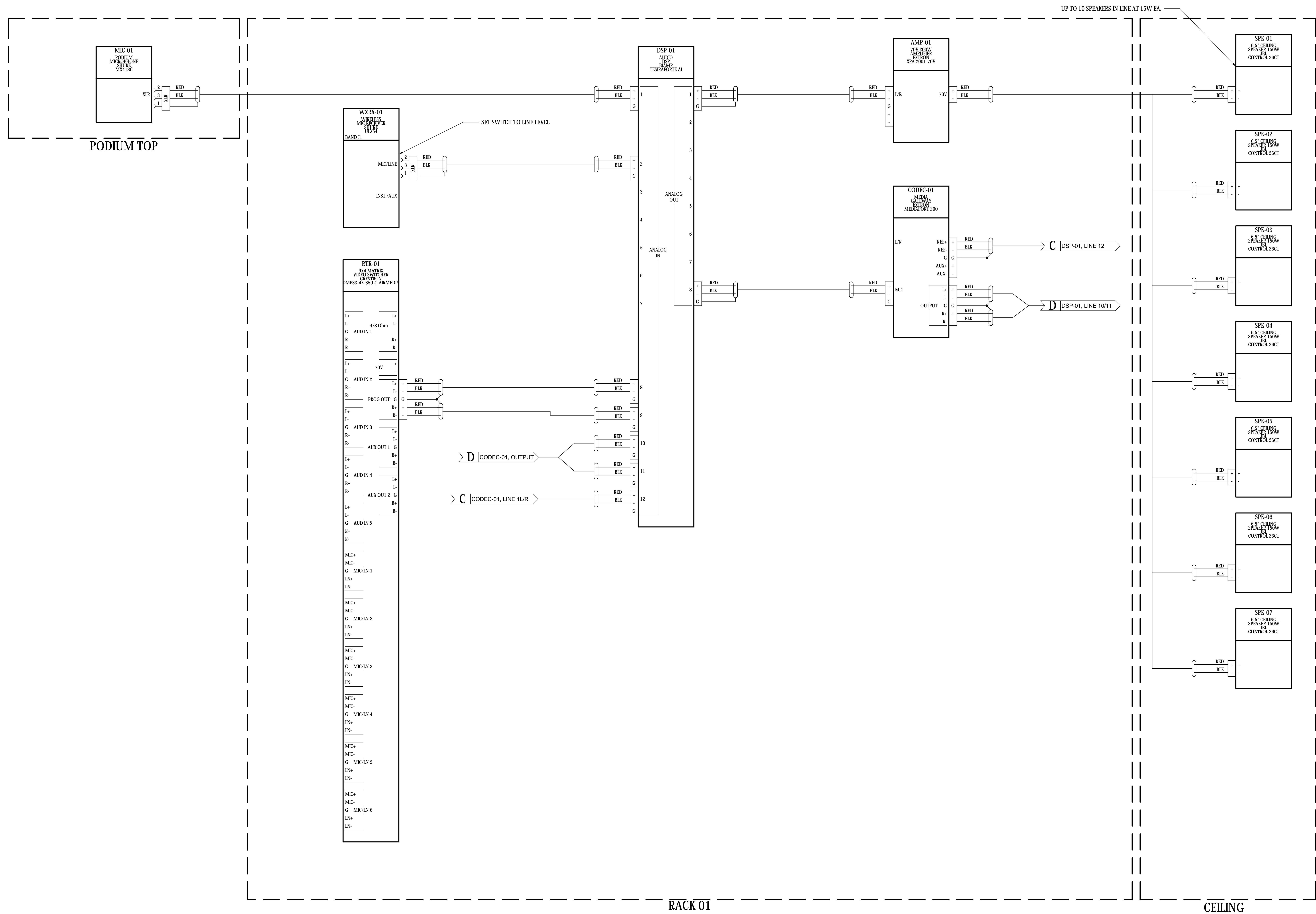
REV	DATE	DESCRIPTION
	DATE: 03-07-18	
	SCALE: NTS	
	DRAWN: S. MERVINE	
	ENG BY: S. MERVINE	

SHEET SIZE ARCH E 48 X 36

LEHIGH UNIVERSITY
CLASSROOM STD
VTC 1-SCREEN
VIDEO
FLOW DIAGRAM

DRAWING NO. TA02-311

PROJECT NO. 111588



1	03/04/2019	REVISION FOR REVIEW
0	03/13/2018	ISSUE FOR REVIEW

REV	DATE	DESCRIPTION

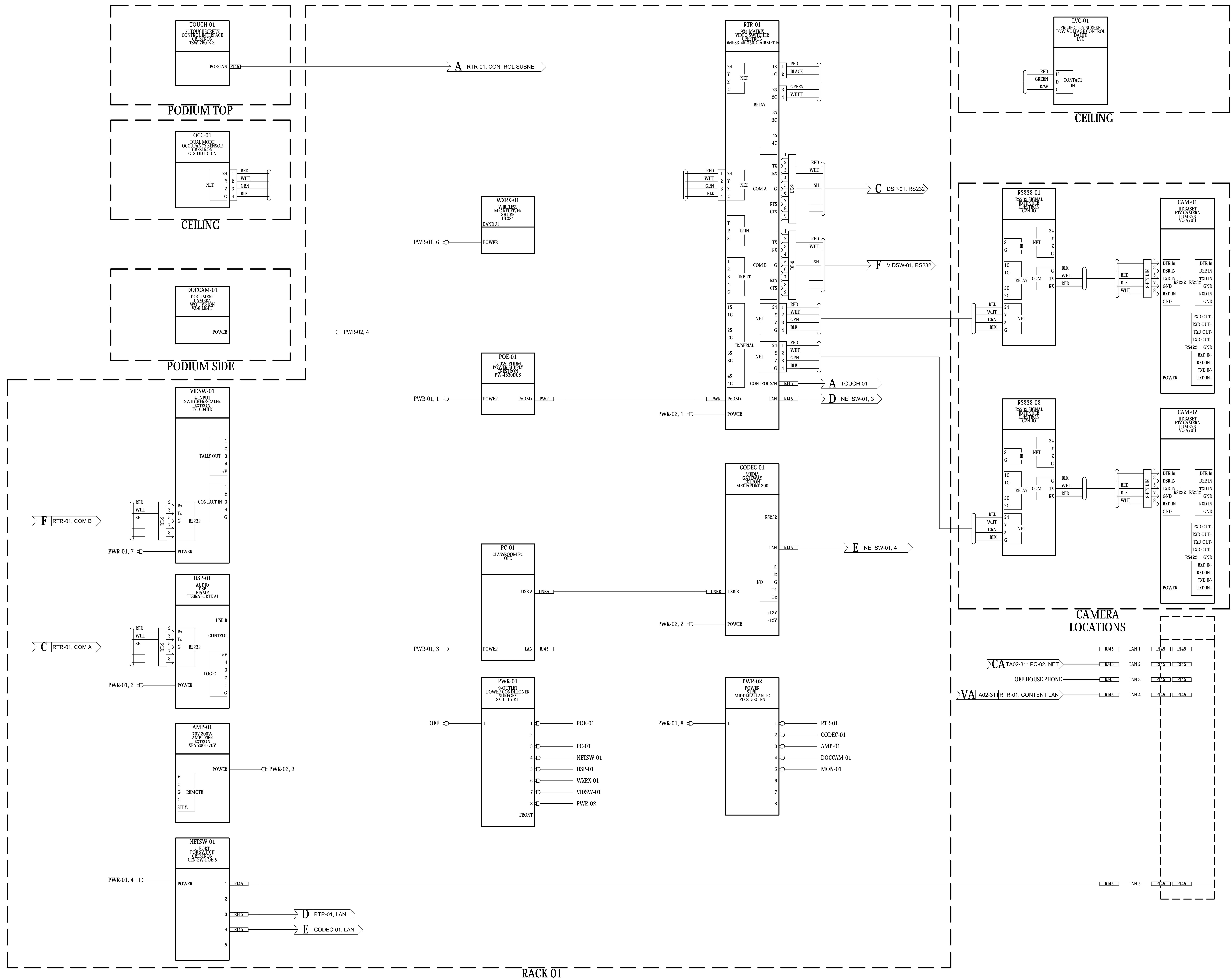
DATE: 03-07-18
SCALE: NTS
DRAWN: S. MERVINE
ENG BY: S. MERVINE

SHEET SIZE ARCH E 48 X 36

LEHIGH UNIVERSITY
CLASSROOM STD
VTC 1-SCREEN
AUDIO
FLOW DIAGRAM

DRAWING NO. TA02-321

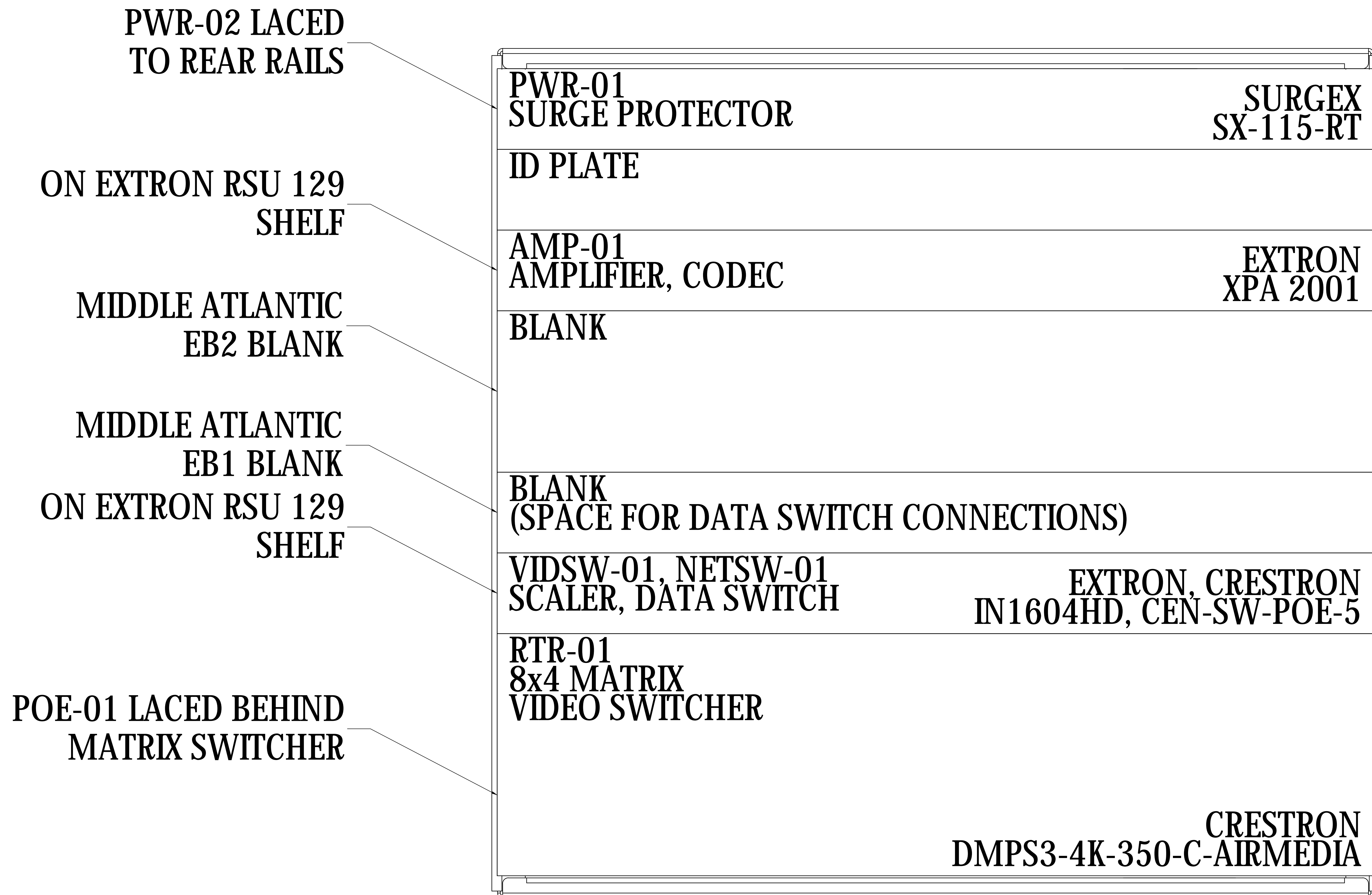
PROJECT NO. 111588



RACK 01

REV	DATE	DESCRIPTION
1	03/04/2019	REVISION FOR REVIEW
0	03/13/2018	ISSUE FOR REVIEW

DATE:	03-07-18
SCALE:	NTS
DRAWN:	S. MERVINE
ENG BY:	S. MERVINE
SHEET SIZE:	ARCH E 48 X 36
LEHIGH UNIVERSITY CLASSROOM STD VTC 1-SCREEN CONTROL FLOW DIAGRAM	
DRAWING NO.:	TA02-341
PROJECT NO.:	111588



**RACK
UNITS**

INCHES

RACK DETAILS		
MAKE	DESCRIPTION	MODEL
MIDDLE ATLANTIC	10 SPACE 18" DEEP RACK	CFR-10-18
MIDDLE ATLANTIC	LOW FRICTION RUNNER KIT	5-RS16

REV	DATE	DESCRIPTION
1	03/04/2019	REVISION FOR REVIEW
0	03/13/2018	ISSUE FOR REVIEW

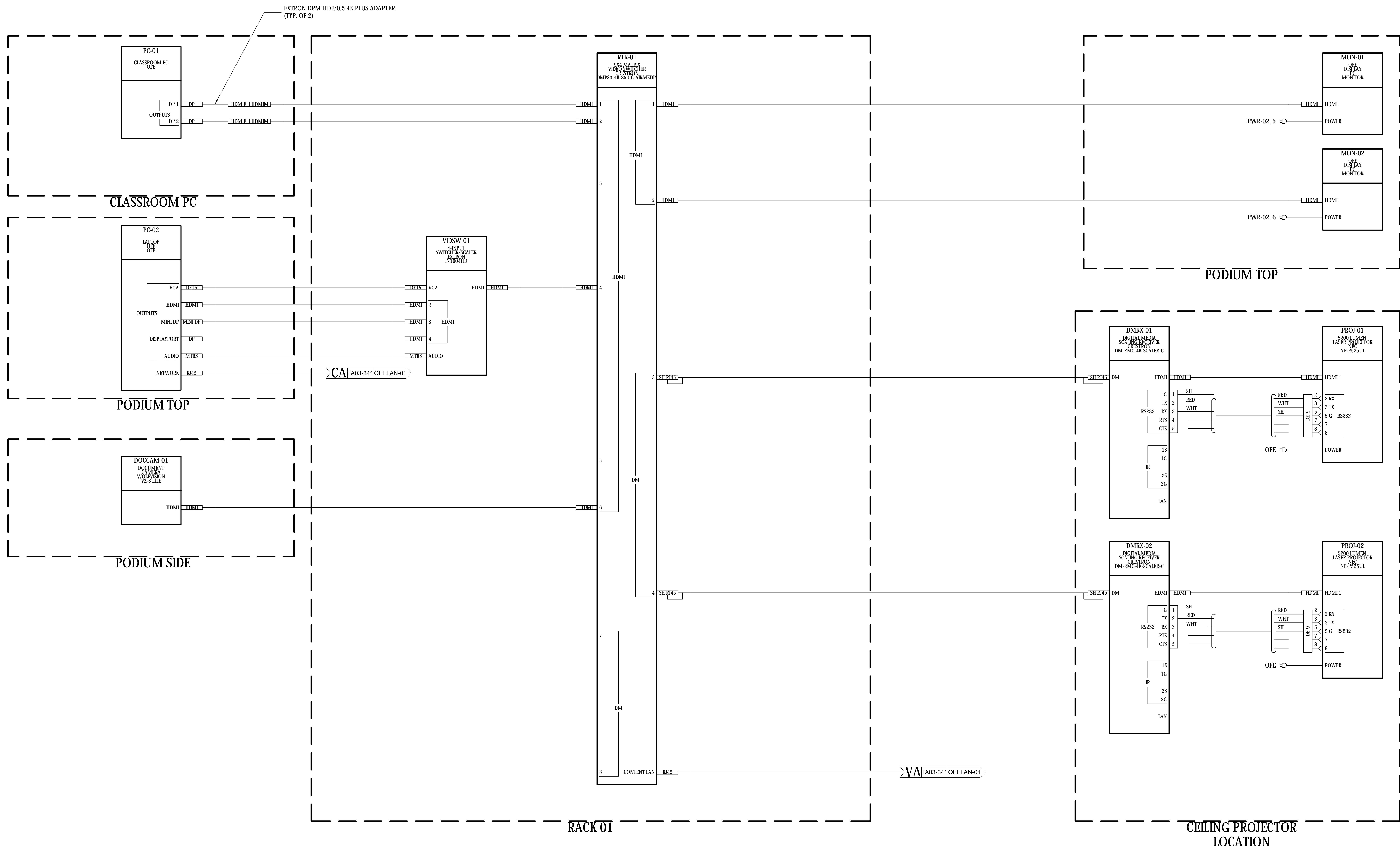
DATE: 03-07-18
SCALE: NTS
DRAWN: S. MERVINE
ENG BY: S. MERVINE

SHEET SIZE ARCH E 48 X 36

LEHIGH
UNIVERSITY
CLASSROOM STD
NON-VTC 2-SCREEN
EQUIPMENT
RACK ELEVATION

DRAWING NO.
TA03-301

PROJECT NO.
111588



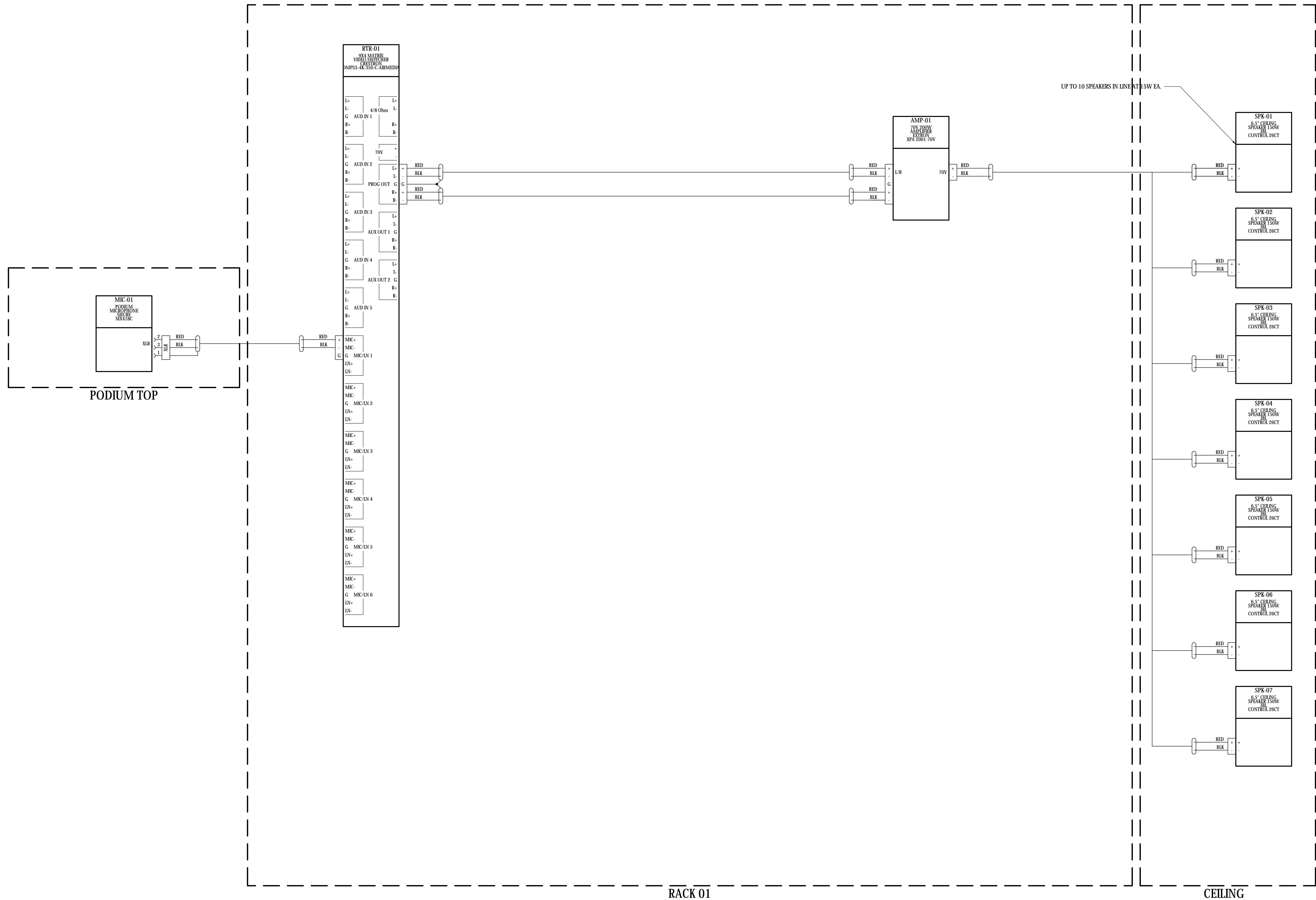
1	03/04/2019	REVISION FOR REVIEW
0	03/13/2018	ISSUE FOR REVIEW

REV	DATE	DESCRIPTION
	DATE: 03-07-18	
	SCALE: NTS	
	DRAWN: S. MERVINE	
	ENG BY: S. MERVINE	

SHEET SIZE ARCH E 48 X 36

LEHIGH UNIVERSITY
CLASSROOM STD
NON-VTC 2-SCREEN
VIDEO
FLOW DIAGRAM

DRAWING NO. TA03-311
PROJECT NO. 111588



1	03/04/2019	REVISION FOR REVIEW
0	03/13/2018	ISSUE FOR REVIEW

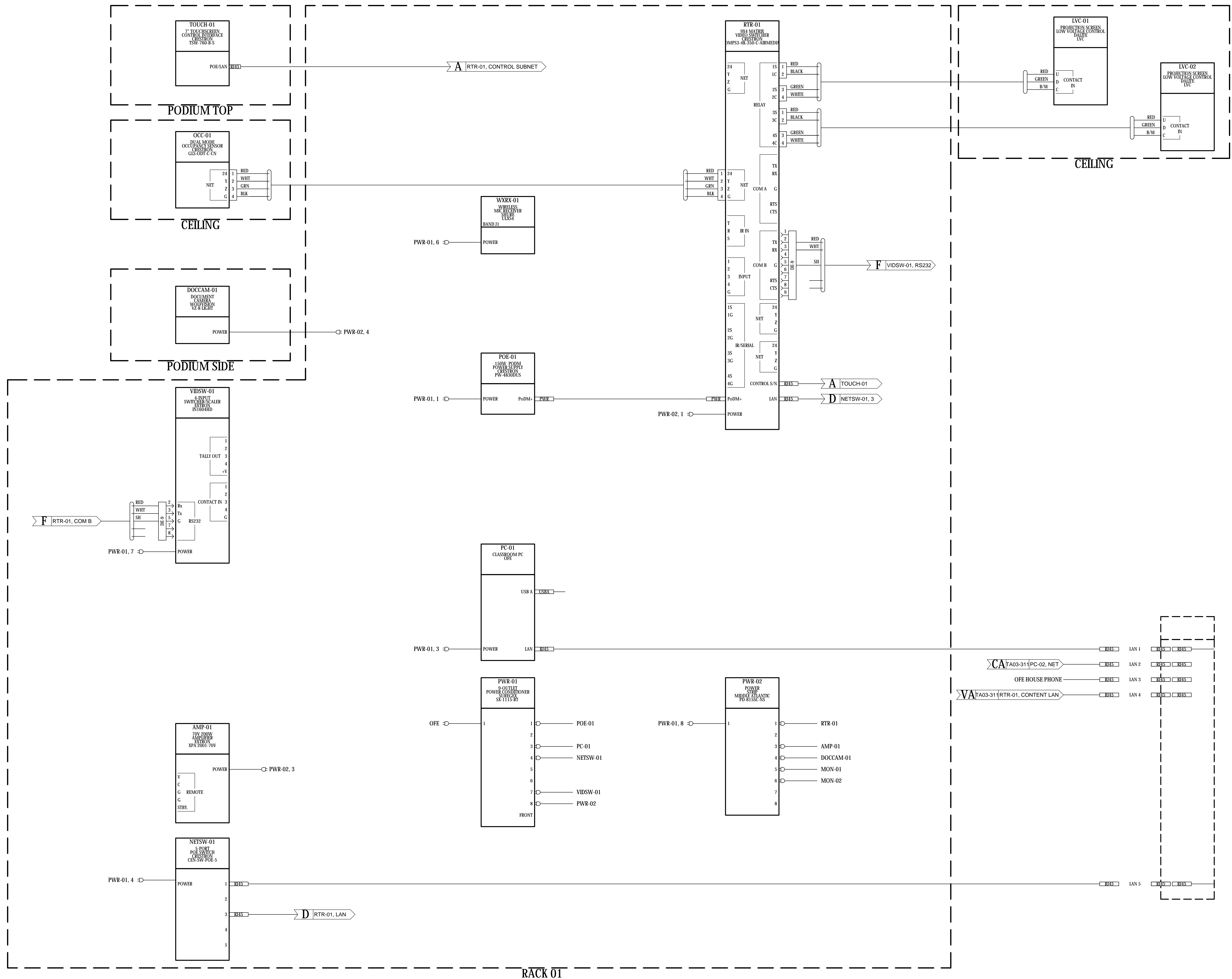
REV	DATE	DESCRIPTION
	03-07-18	DATE
		SCALE: NTS
		DRAWN: S. MERVINE
		ENG BY: S. MERVINE

SHEET SIZE ARCH E 48 X 36

LEHIGH UNIVERSITY
CLASSROOM STD
NON-VTC 2-SCREEN
AUDIO
FLOW DIAGRAM

DRAWING NO. **TA03-321**

PROJECT NO. 111588



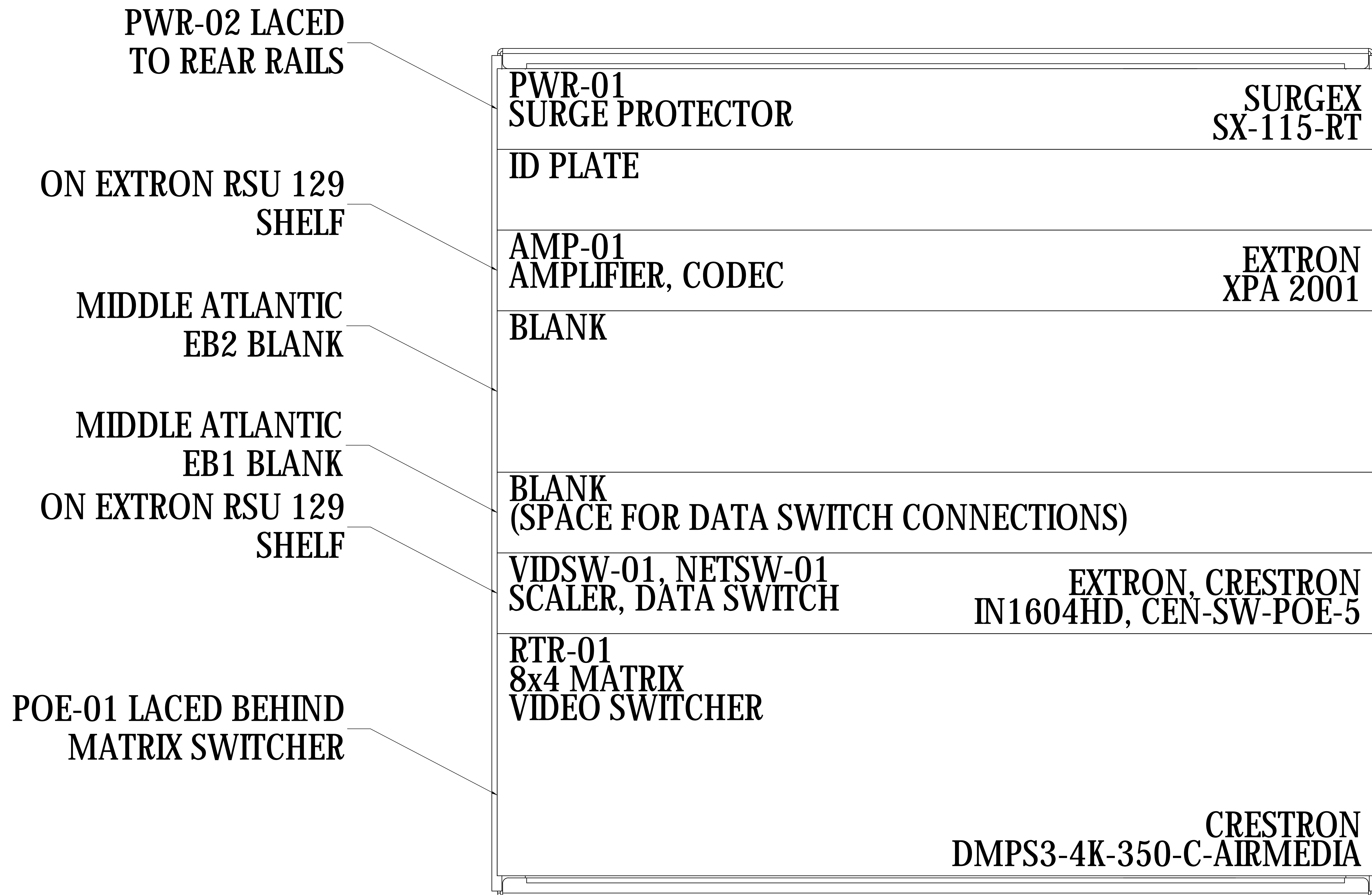
REV	DATE	DESCRIPTION
1	03/04/2019	REVISION FOR REVIEW
0	03/13/2018	ISSUE FOR REVIEW

SHEET SIZE ARCH E 48 X 36

LEHIGH UNIVERSITY
CLASSROOM STD
NON-VTC 2-SCREEN
CONTROL
FLOW DIAGRAM

DRAWING NO.
TA03-341
PROJECT NO.
111588

DATE: 03-07-18
SCALE: NTS
DRAWN: S. MERVINE
ENG BY: S. MERVINE



**RACK
UNITS**

INCHES

RACK DETAILS		
MAKE	DESCRIPTION	MODEL
MIDDLE ATLANTIC	10 SPACE 18" DEEP RACK	CFR-10-18
MIDDLE ATLANTIC	LOW FRICTION RUNNER KIT	5-RS16

REV	DATE	DESCRIPTION
1	03/04/2019	REVISION FOR REVIEW
0	03/13/2018	ISSUE FOR REVIEW

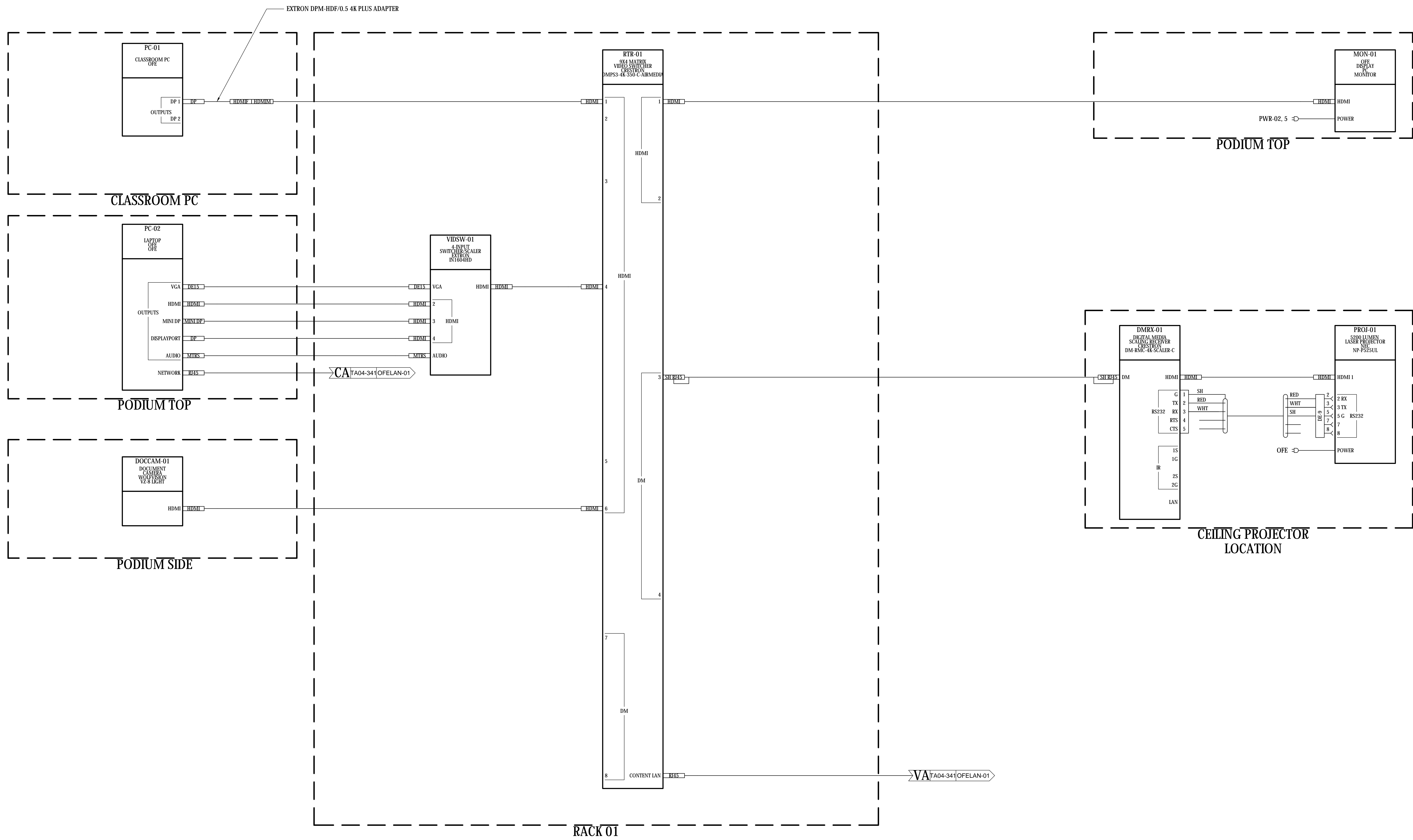
DATE: 03-07-18
SCALE: NTS
DRAWN: S. MERVINE
ENG BY: S. MERVINE

SHEET SIZE: ARCH E 48 X 36

**LEHIGH
UNIVERSITY
CLASSROOM STD
NON-VTC 1-SCREEN
EQUIPMENT
RACK ELEVATION**

DRAWING NO. **TA04-301**

PROJECT NO. 111588



1	03/04/2019	REVISION FOR REVIEW
0	03/13/2018	ISSUE FOR REVIEW

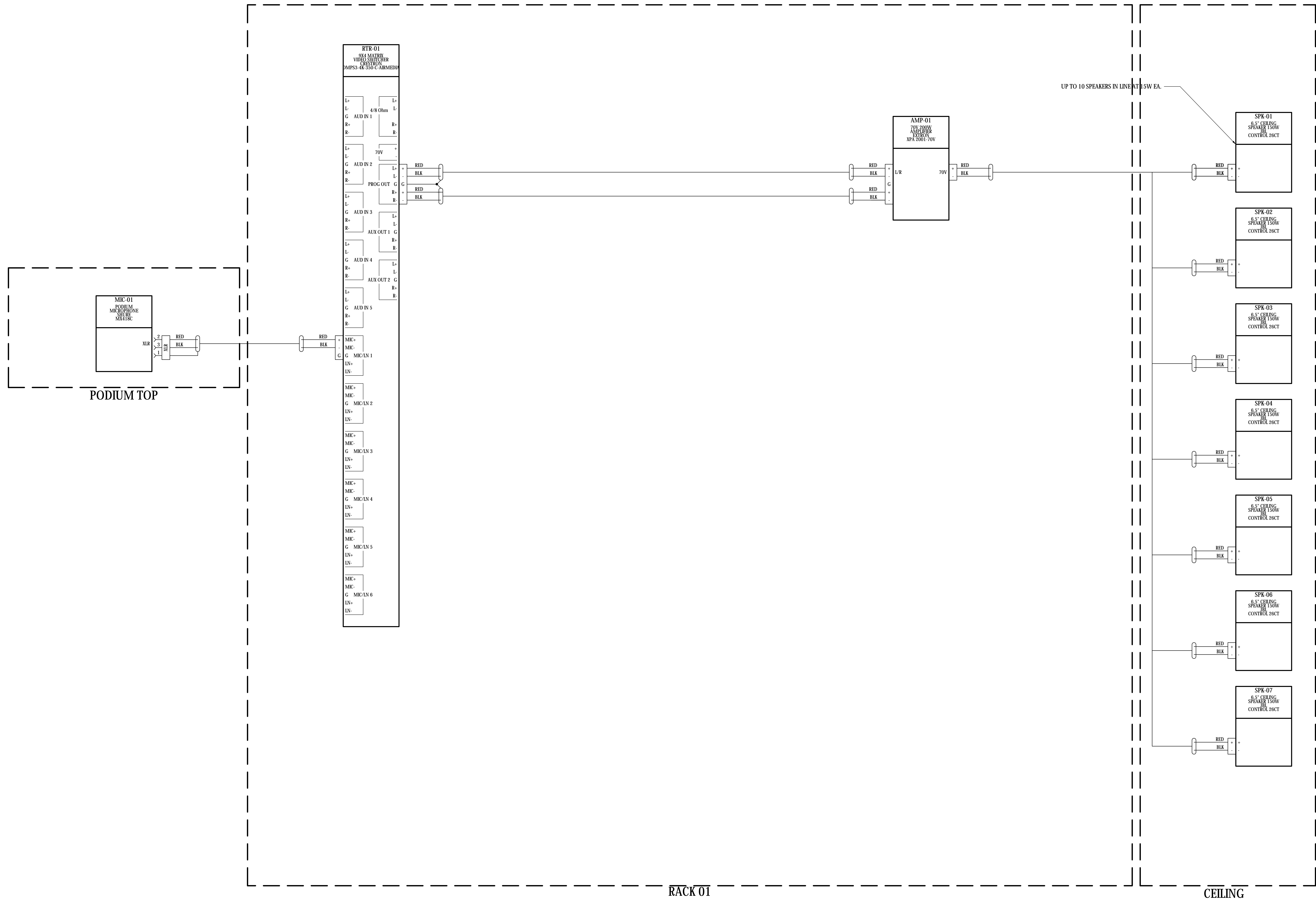
REV	DATE	DESCRIPTION
	DATE: 03-07-18	
	SCALE: NTS	
	DRAWN: S. MERVINE	
	ENG BY: S. MERVINE	

SHEET SIZE ARCH E 48 X 36

LEHIGH UNIVERSITY
CLASSROOM STD
NON-VTC 1-SCREEN
VIDEO
FLOW DIAGRAM

DRAWING NO. TA04-311

PROJECT NO. 111588



RACK 01

CEILING

1	03/04/2019	REVISION FOR REVIEW
0	03/13/2018	ISSUE FOR REVIEW

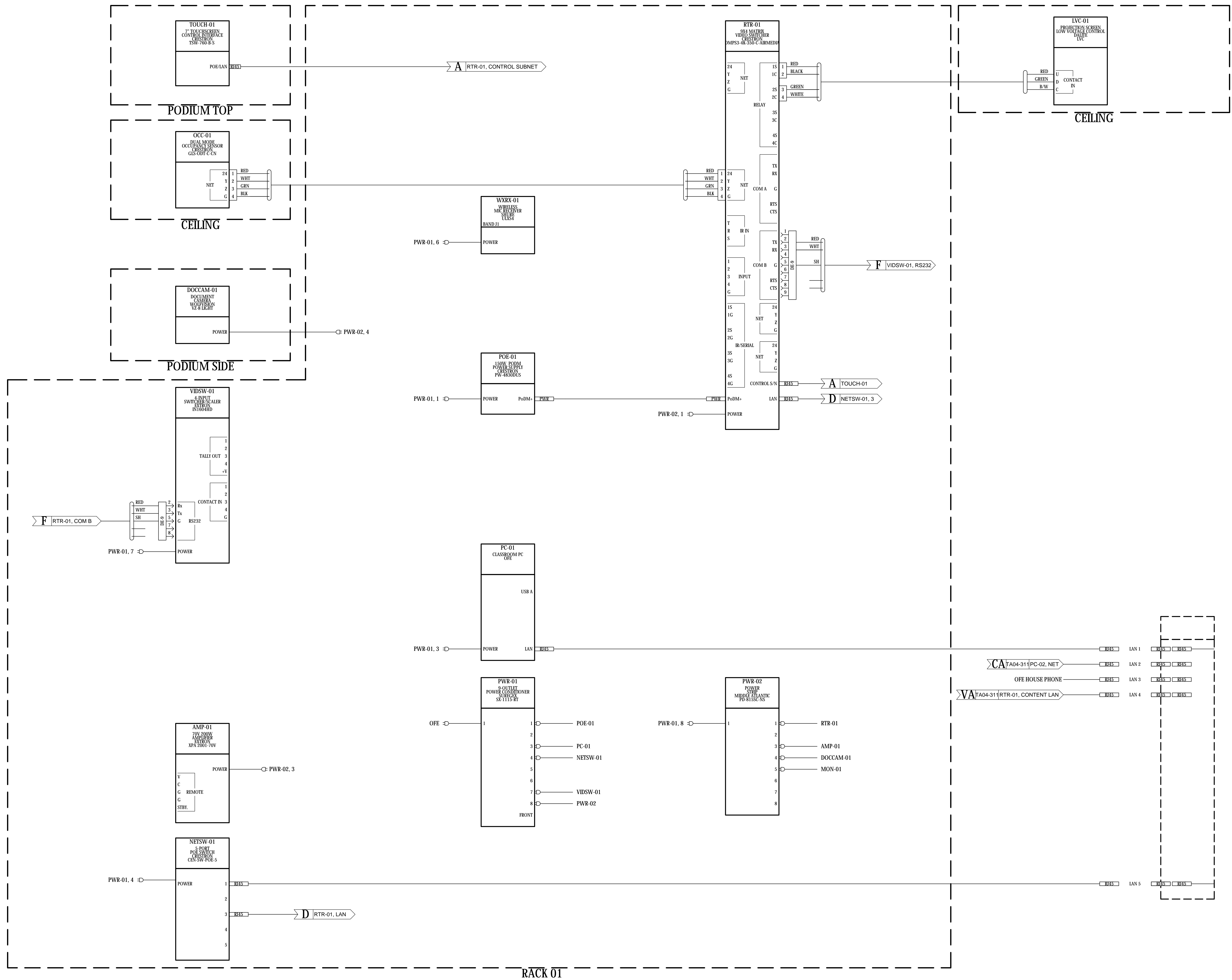
REV	DATE	DESCRIPTION
	DATE: 03-07-18	
	SCALE: NTS	
	DRAWN: S. MERVINE	
	ENG BY: S. MERVINE	

SHEET SIZE ARCH E 48 X 36

LEHIGH UNIVERSITY
CLASSROOM STD
NON-VTC 1-SCREEN
AUDIO
FLOW DIAGRAM

DRAWING NO. TA04-321

PROJECT NO. 111588



1	03/04/2019	REVISION FOR REVIEW
0	03/13/2018	ISSUE FOR REVIEW

REV	DATE	DESCRIPTION

SHEET SIZE ARCH E 48 X 36

LEHIGH UNIVERSITY
CLASSROOM STD
NON-VTC 1-SCREEN
CONTROL
FLOW DIAGRAM

DRAWING NO.
TA04-341
PROJECT NO.
111588

DATE: 03-07-18
SCALE: NTS
DRAWN: S. MERVINE
ENG BY: S. MERVINE